

*advanced quality*  
*customized designs*  
*made in europe and usa*

**UNIVERSAL  
HYDRAULIK**®  
Your Partner for coolers and systems

## OIL - AIR COOLING

## Heat exchanger series LKI/LKI-HYD



- Application oriented dimensioning
- Powder coated housing
- ATEX-certificate
- Cooling capacity up to 150 kW
- Low noise level
- Optimized Air flow



## Product description

With this new generation of Universal Hydraulik LKI oil-coolers, the manufacturer has succeeded in reducing the noise level. These coolers are ideally suited for stationary installations - for the cooling of hydraulic or lubricating oils. The range has been extended to include slow-running fans, and the housings have been optimized, in order to produce the very low noise level. In order to make the cooler range as comprehensive as possible, the smaller models are also available as single or dual versions, thus covering oil-cooling requirements for both low and high oil volume flows.

### Product features

- Heat output capacity up to 150 kW
- Test pressure: 25 bar static according to DIN 50104
- Operating pressure: 16 bar (mind. 2 Mio. Cycles from 0-16 bar at 2 Hz and 60 °C)
- Compact oil-cooler
- High cooling performance
- Low pressure drop
- Max. operating temperature: 120 °C
- High flexibility owing to many options
- Additional 2" SAE-flange (from LKI 700 upward)
- Cooling of: Oil, HFA, HFB, HFC, HFD-fluids up to  $\nu = 100$  cst. (higher viscosity on request), water/glycol min. 65:35 (under no circumstances water without corrosion prevention)
- Coolant: Air
- Variable motor: 230/400V / hydro / special voltage
- Max. operating pressure hydraulic motor: 11ccm = 275 bar, 22ccm = 235 bar (further motor sizes on request)

### Optionen

- Frequency inverter controlled motors (+ controll unit)
- US-version (motor electrical acc. to NEMA)
- See water-version (Off-Shore)
- ATEX-Zulassung
- KTL-Beschichtung (Marine)
- Stainless steel- version (cooling package, housing, fan etc.)
- Wall- and ceiling bracket
- Dust- and stoneguard
- Test pressure 40 bar
- Internal pressure bypass
- Internal thermal bypass
- External bypass- and filtration solutions
- Thermo switch

## Materials

|                 | Standard                               | Option  | Special versions<br>(e.g. special ambient conditions) |
|-----------------|--|---|---|
| Cooling package | Aluminium                              | Stainless steel                                       | Materials on request                                  |
| Housing         | Steel (powder-coated)                  |   |   |
| Fan             | Glass fibre reinforced polyamide (PAG) | Elektrical conductive polyamid (e.g. for ATEX- areas) |   |
| Protectiv grid  | Steel (zinc plated)                    |   |   |
| Bracking feet   | Steel (zinc plated)                    |   |   |

## Size LKI-51/61

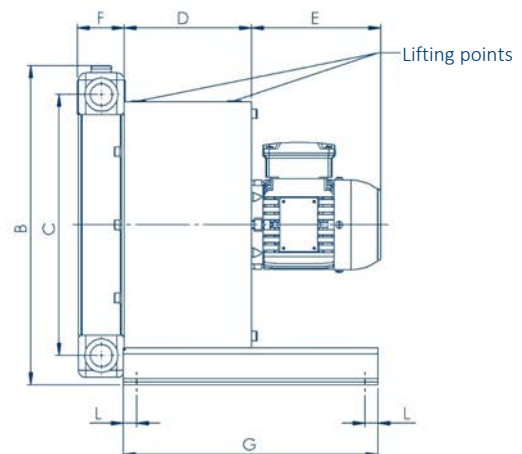
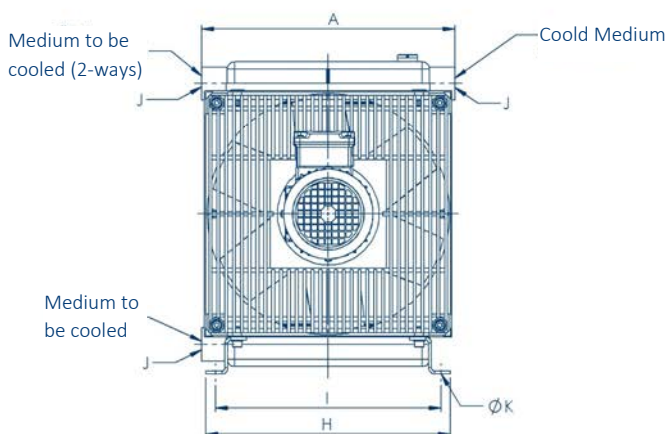
| Typ           | Motor performance | Power consumption* | Rotation speed | Air flow          | Noise level** | Weight |
|---------------|-------------------|--------------------|----------------|-------------------|---------------|--------|
|               | KW                | A                  | rpm            | m <sup>3</sup> /s | 1m / 7m dB(A) | kg     |
| LKI 51-400V-2 | 0,25              | 1,33               | 3000           | 0,42              | 75 / 60       | 16     |
| LKI 51-400V-4 | 0,12              | 0,84               | 1500           | 0,2               | 63 / 49       | 16     |
| LKI 61-400V-2 | 0,25              | 1,33               | 3000           | 0,42              | 75 / 60       | 16     |
| LKI 61-400V-4 | 0,12              | 0,84               | 1500           | 0,2               | 63 / 49       | 16     |

\* Nominal current at 400V

\*\*May vary by  $\pm 3$  dB(A) due to room characteristics, own frequencies, oil connections, viscosities etc.

| Typ           | A   | B   | C   | D   | E      | F  | G   | H   | I   | J     | K               | L  |
|---------------|-----|-----|-----|-----|--------|----|-----|-----|-----|-------|-----------------|----|
| LKI 51-400V-2 | 260 | 311 | 242 | 151 | ca.224 | 45 | 250 | 298 | 278 | G3/4* | $\varnothing 9$ | 15 |
| LKI 51-400V-4 | 260 | 311 | 242 | 151 | ca.224 | 45 | 250 | 298 | 278 | G3/4* | $\varnothing 9$ | 15 |
| LKI 61-400V-2 | 260 | 311 | 242 | 151 | ca.224 | 65 | 250 | 298 | 278 | G3/4* | $\varnothing 9$ | 15 |
| LKI 61-400V-4 | 260 | 311 | 242 | 151 | ca.224 | 65 | 250 | 298 | 278 | G3/4* | $\varnothing 9$ | 15 |

Dimension data in mm



## Size LKI-100/200

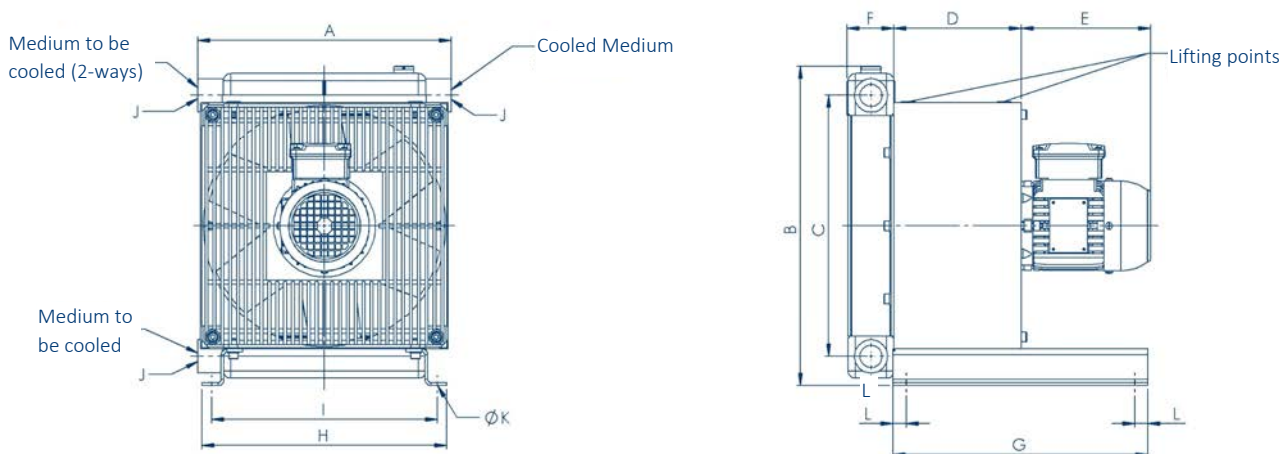
| Typ            | Motor performance | Power consumption* | Rotation speed | Air flow          | Noise level** | Weight |
|----------------|-------------------|--------------------|----------------|-------------------|---------------|--------|
|                | KW                | A                  | rpm            | m <sup>3</sup> /s | 1m / 7m dB(A) | kg     |
| LKI 110-400V-2 | 0,37              | 0,88               | 3000           | 1,29              | 77 / 62       | 17     |
| LKI 120-400V-2 | 0,37              | 0,88               | 3000           | 1,29              | 77 / 62       | 17     |
| LKI 110-400V-4 | 0,18              | 0,58               | 1500           | 0,49              | 64 / 50       | 17     |
| LKI 120-400V-4 | 0,18              | 0,58               | 1500           | 0,49              | 64 / 50       | 17     |
| LKI 210-400V-2 | 0,37              | 0,88               | 3000           | 1,18              | 79 / 64       | 20     |
| LKI 220-400V-2 | 0,37              | 0,88               | 3000           | 1,18              | 79 / 64       | 20     |
| LKI 210-400V-4 | 0,18              | 0,58               | 1500           | 0,50              | 64 / 50       | 20     |
| LKI 220-400V-4 | 0,18              | 0,58               | 1500           | 0,50              | 64 / 50       | 20     |

\* Nominal current at 400V

\*\* May vary by  $\pm 3$  dB(A) due to room characteristics, own frequencies, oil connections, viscosities etc.

| Typ            | A   | B   | C   | D   | E      | F  | G   | H   | I   | J   | K   | L  |
|----------------|-----|-----|-----|-----|--------|----|-----|-----|-----|-----|-----|----|
| LKI 110-400V-2 | 348 | 440 | 360 | 175 | ca.205 | 63 | 350 | 336 | 310 | G1* | Ø11 | 18 |
| LKI 120-400V-2 | 348 | 440 | 360 | 175 | ca.205 | 63 | 350 | 366 | 310 | G1* | Ø11 | 18 |
| LKI 110-400V-4 | 348 | 440 | 360 | 175 | ca.177 | 63 | 350 | 336 | 310 | G1* | Ø11 | 18 |
| LKI 120-400V-4 | 348 | 440 | 360 | 175 | ca.177 | 63 | 350 | 336 | 310 | G1* | Ø11 | 18 |
| LKI 210-400V-2 | 348 | 440 | 360 | 175 | ca.205 | 94 | 350 | 336 | 310 | G1* | Ø11 | 18 |
| LKI 220-400V-2 | 348 | 440 | 360 | 175 | ca.205 | 94 | 350 | 336 | 310 | G1* | Ø11 | 18 |
| LKI 210-400V-4 | 348 | 440 | 360 | 175 | ca.177 | 94 | 350 | 336 | 310 | G1* | Ø11 | 18 |
| LKI 220-400V-4 | 348 | 440 | 360 | 175 | ca.177 | 94 | 350 | 336 | 310 | G1* | Ø11 | 18 |

Dimension data in mm, Threads for lifting equipment: M8



## Size LKI-300/400

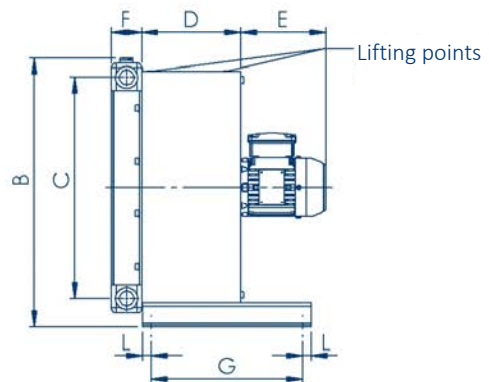
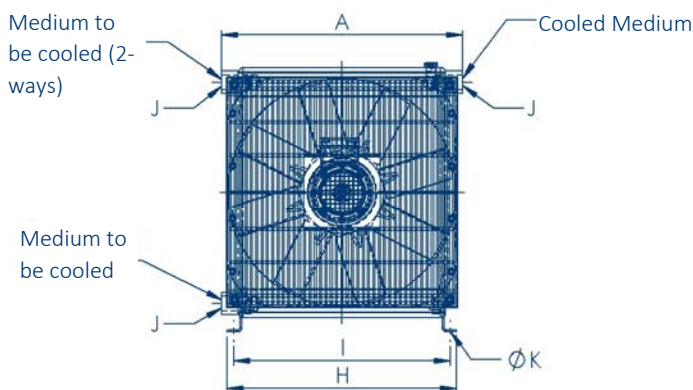
| Typ            | Motor performance | Power consumption* | Rotation speed | Air flow          | Noise level** | Weight |
|----------------|-------------------|--------------------|----------------|-------------------|---------------|--------|
|                | KW                | A                  | rpm            | m <sup>3</sup> /s | 1m / 7m dB(A) | kg     |
| LKI 310-400V-4 | 0,37              | 0,89               | 1500           | 0,74              | 73 / 58       | 25     |
| LKI 320-400V-4 | 0,37              | 0,89               | 1500           | 0,74              | 73 / 58       | 25     |
| LKI 310-400V-6 | 0,12              | 0,48               | 1000           | 0,59              | 65 / 51       | 26     |
| LKI 320-400V-6 | 0,12              | 0,48               | 1000           | 0,59              | 65 / 51       | 26     |
| LKI 410-400V-4 | 0,37              | 0,89               | 1500           | 0,76              | 75 / 63       | 32     |
| LKI 420-400V-4 | 0,37              | 0,89               | 1500           | 0,76              | 75 / 63       | 32     |
| LKI 410-400V-6 | 0,12              | 0,48               | 1000           | 0,55              | 67 / 53       | 33     |
| LKI 420-400V-6 | 0,12              | 0,48               | 1000           | 0,55              | 67 / 53       | 33     |

\* Nominal current at 400V

\*\* May vary by  $\pm 3$  dB(A) due to room characteristics, own frequencies, oil connections, viscosities etc.

| Typ            | A   | B   | C   | D   | E      | F  | G   | H   | I   | J   | K   | L  |
|----------------|-----|-----|-----|-----|--------|----|-----|-----|-----|-----|-----|----|
| LKI 310-400V-4 | 500 | 550 | 460 | 205 | ca.205 | 63 | 350 | 476 | 450 | G1* | Ø11 | 18 |
| LKI 320-400V-4 | 500 | 550 | 460 | 205 | ca.205 | 63 | 350 | 476 | 450 | G1* | Ø11 | 18 |
| LKI 310-400V-6 | 500 | 550 | 460 | 205 | ca.177 | 63 | 350 | 476 | 450 | G1* | Ø11 | 18 |
| LKI 320-400V-6 | 500 | 550 | 460 | 205 | ca.177 | 63 | 350 | 476 | 450 | G1* | Ø11 | 18 |
| LKI 410-400V-4 | 500 | 550 | 460 | 205 | ca.205 | 94 | 350 | 476 | 450 | G1* | Ø11 | 18 |
| LKI 420-400V-4 | 500 | 550 | 460 | 205 | ca.205 | 94 | 350 | 476 | 450 | G1* | Ø11 | 18 |
| LKI 410-400V-6 | 500 | 550 | 460 | 205 | ca.177 | 94 | 350 | 476 | 450 | G1* | Ø11 | 18 |
| LKI 420-400V-6 | 500 | 550 | 460 | 205 | ca.177 | 94 | 350 | 476 | 450 | G1* | Ø11 | 18 |

Dimension data in mm, Threads for lifting equipment: M8



## Size LKI-500/600

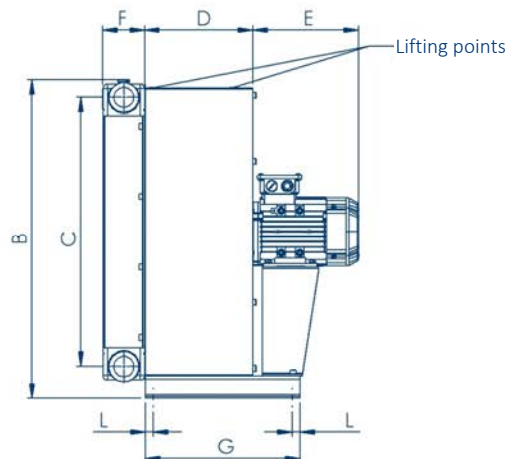
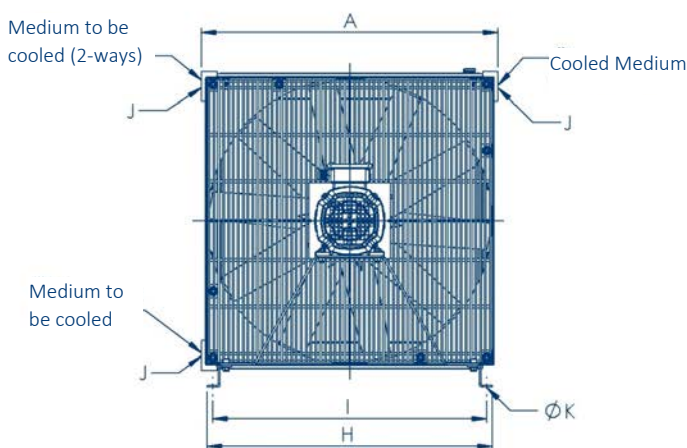
| Typ            | Motor performance | Power consumption** | Rotation speed | Air flow          | Noise level** | Weight |
|----------------|-------------------|---------------------|----------------|-------------------|---------------|--------|
|                | KW                | A                   | rpm            | m <sup>3</sup> /s | 1m / 7m dB(A) | kg     |
| LKI 510-400V-4 | 0,75              | 1,71                | 1500           | 1,70              | 80 / 70       | 40     |
| LKI 520-400V-4 | 0,75              | 1,71                | 1500           | 1,70              | 80 / 70       | 40     |
| LKI 510-400V-6 | 0,25              | 0,99                | 1000           | 1,06              | 70 / 57       | 37     |
| LKI 520-400V-6 | 0,25              | 0,99                | 1000           | 1,06              | 70 / 57       | 37     |
| LKI 610-400V-4 | 0,75              | 1,71                | 1500           | 1,50              | 80 / 70       | 49     |
| LKI 620-400V-4 | 0,75              | 1,71                | 1500           | 1,50              | 80 / 70       | 49     |
| LKI 610-400V-6 | 0,25              | 0,99                | 1000           | 0,95              | 70 / 57       | 49     |
| LKI 620-400V-6 | 0,25              | 0,99                | 1000           | 0,95              | 70 / 57       | 49     |

\* Nominal current at 400V

\*\* May vary by  $\pm 3$  dB(A) due to room characteristics, own frequencies, oil connections, viscosities etc.

| Typ            | A   | B   | C   | D   | E      | F  | G   | H   | I   | J       | K   | L  |
|----------------|-----|-----|-----|-----|--------|----|-----|-----|-----|---------|-----|----|
| LKI 510-400V-4 | 671 | 721 | 610 | 245 | ca.224 | 63 | 350 | 646 | 620 | G1 1/2" | Ø11 | 18 |
| LKI 520-400V-4 | 671 | 721 | 610 | 245 | ca.241 | 63 | 350 | 646 | 620 | G1 1/2" | Ø11 | 18 |
| LKI 510-400V-6 | 671 | 721 | 610 | 245 | ca.205 | 63 | 350 | 646 | 620 | G1 1/2" | Ø11 | 18 |
| LKI 520-400V-6 | 671 | 721 | 610 | 245 | ca.205 | 63 | 350 | 646 | 620 | G1 1/2" | Ø11 | 18 |
| LKI 610-400V-4 | 671 | 721 | 610 | 245 | ca.239 | 94 | 350 | 646 | 620 | G1 1/2" | Ø11 | 18 |
| LKI 620-400V-4 | 678 | 721 | 610 | 245 | ca.239 | 94 | 350 | 646 | 620 | G1 1/2" | Ø11 | 18 |
| LKI 610-400V-6 | 671 | 721 | 610 | 245 | ca.205 | 94 | 350 | 646 | 620 | G1 1/2" | Ø11 | 18 |
| LKI 620-400V-6 | 671 | 721 | 610 | 245 | ca.235 | 94 | 350 | 646 | 620 | G1 1/2" | Ø11 | 18 |

Dimension data in mm, Threads for lifting equipment: M8



## Size LKI-700

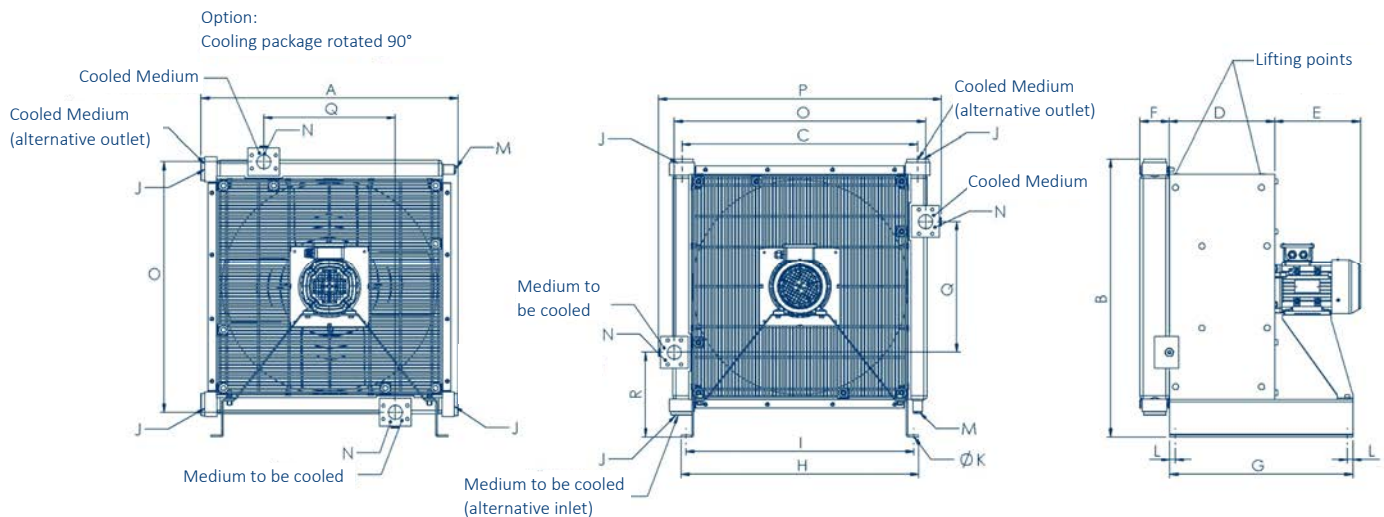
| Typ            | Motor performance | Power consumption* | Rotation speed | Air flow          | Noise level** | Weight |
|----------------|-------------------|--------------------|----------------|-------------------|---------------|--------|
|                | KW                | A                  | rpm            | m <sup>3</sup> /s | 1m / 7m dB(A) | kg     |
| LKI 710-400V-6 | 1,1               | 2,56               | 1000           | 2,14              | 77 / 62       | 91     |
| LKI 710-400V-8 | 0,55              | 2,56               | 750            | 1,56              | 69 / 56       | 91     |

\* Nominal current at 400V

\*\*May vary by  $\pm 3$  dB(A) due to room characteristics, own frequencies, oil connections, viscosities etc.

| Typ            | A   | B   | C   | D   | E      | F  | G   | H   | I   | J   | K                | L  | M     | N     | O   | P   | Q   | R   |
|----------------|-----|-----|-----|-----|--------|----|-----|-----|-----|-----|------------------|----|-------|-------|-----|-----|-----|-----|
| LKI 710-400V-6 | 900 | 886 | 760 | 340 | ca.280 | 94 | 590 | 765 | 735 | G2" | $\varnothing 11$ | 18 | G1/2" | 2"SAE | 810 | 900 | 424 | 272 |
| LKI 710-400V-8 | 900 | 886 | 760 | 340 | ca.277 | 94 | 590 | 765 | 735 | G2" | $\varnothing 11$ | 18 | G1/2" | 2"SAE | 810 | 900 | 424 | 272 |

Dimension data in mm, Threads for lifting equipment: M10



## Size LKI-800

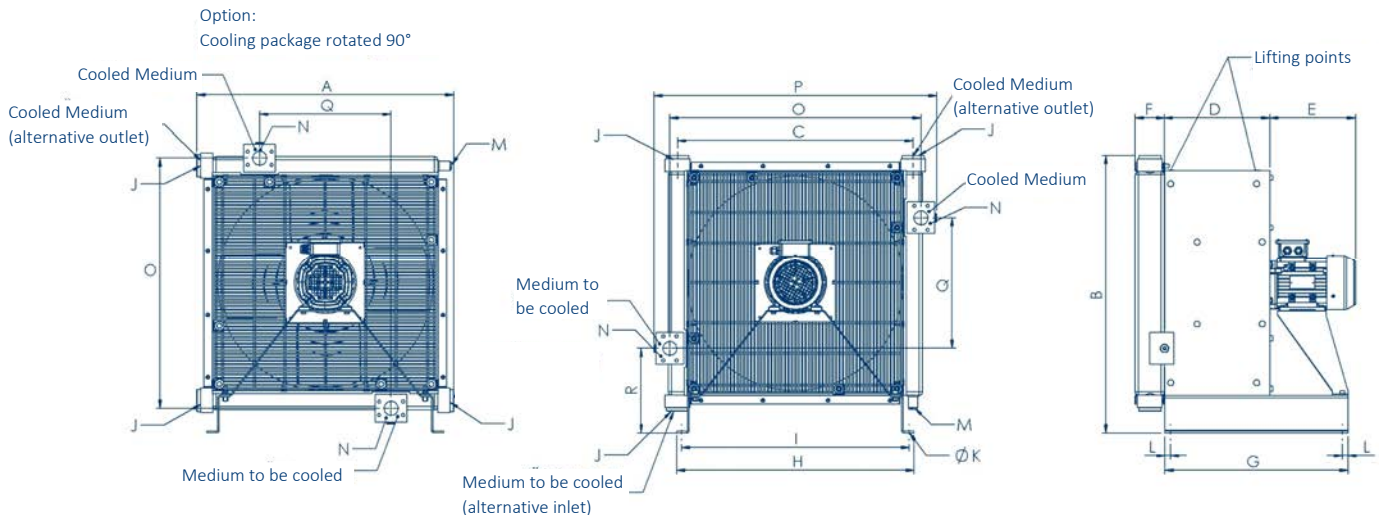
| Typ            | Motor performance | Power consumption* | Rotation speed | Air flow          | Noise level** | Weight |
|----------------|-------------------|--------------------|----------------|-------------------|---------------|--------|
|                | KW                | A                  | rpm            | m <sup>3</sup> /s | 1m / 7m dB(A) | kg     |
| LKI 810-400V-6 | 1,5               | 3,78               | 1000           | 3,38              | 79 / 68       | 111    |
| LKI 810-400V-8 | 0,75              | 2,42               | 750            | 2,64              | 72 / 60       | 111    |

\* Nominal current at 400V

\*\* May vary by ±3 dB(A) due to room characteristics, own frequencies, oil connections, viscosities etc.

| Typ            | A   | B    | C   | D   | E      | F  | G   | H   | I   | J   | K   | L  | M     | N     | O   | P    | Q   | R   |
|----------------|-----|------|-----|-----|--------|----|-----|-----|-----|-----|-----|----|-------|-------|-----|------|-----|-----|
| LKI 810-400V-6 | 918 | 1011 | 860 | 340 | ca.319 | 94 | 590 | 865 | 835 | G2" | Ø11 | 18 | G1/2" | 2"SAE | 910 | 1010 | 538 | 272 |
| LKI 810-400V-8 | 918 | 1011 | 860 | 340 | ca.301 | 94 | 590 | 865 | 835 | G2" | Ø11 | 18 | G1/2" | 2"SAE | 910 | 1010 | 538 | 272 |

Dimension data in mm, Threads for lifting equipment: M10





## Size LKI-900

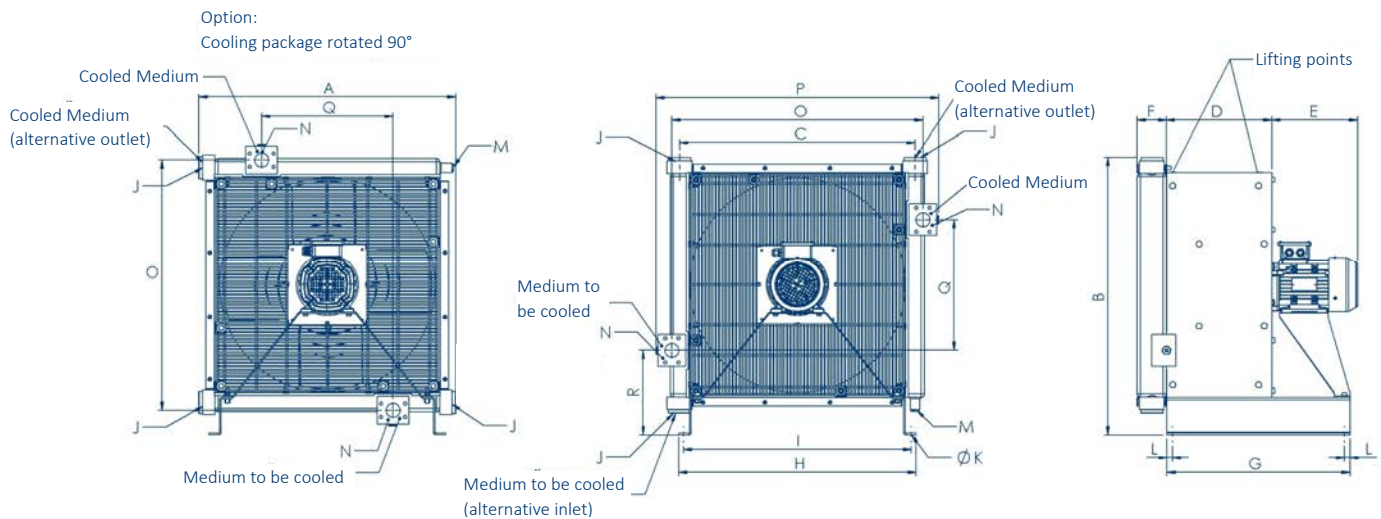
| Typ            | Motor performance | Power consumption* | Rotation speed | Air flow          | Noise level** | Weight |
|----------------|-------------------|--------------------|----------------|-------------------|---------------|--------|
|                | KW                | A                  | rpm            | m <sup>3</sup> /s | 1m / 7m dB(A) | kg     |
| LKI 910-400V-6 | 3,0               | 7,2                | 1000           | 4,32              | 85 / 72       | 137    |
| LKI 910-400V-8 | 1,1               | 3,78               | 750            | 3,07              | 76 / 64       | 131    |

\* Nominal current at 400V

\*\* May vary by ±3 dB(A) due to room characteristics, own frequencies, oil connections, viscosities etc.

| Typ            | A    | B    | C   | D   | E      | F  | G   | H   | I   | J   | K   | L  | M     | N     | O    | P    | Q   | R   |
|----------------|------|------|-----|-----|--------|----|-----|-----|-----|-----|-----|----|-------|-------|------|------|-----|-----|
| LKI 910-400V-6 | 1018 | 1100 | 960 | 340 | ca.370 | 94 | 590 | 965 | 935 | G2" | Ø11 | 18 | G1/2" | 2"SAE | 1010 | 1100 | 638 | 272 |
| LKI 910-400V-8 | 1018 | 1100 | 960 | 340 | ca.301 | 94 | 590 | 965 | 935 | G2" | Ø11 | 18 | G1/2" | 2"SAE | 1010 | 1100 | 638 | 272 |

Dimension data in mm, Threads for lifting equipment: M10



## Size LKI-1000

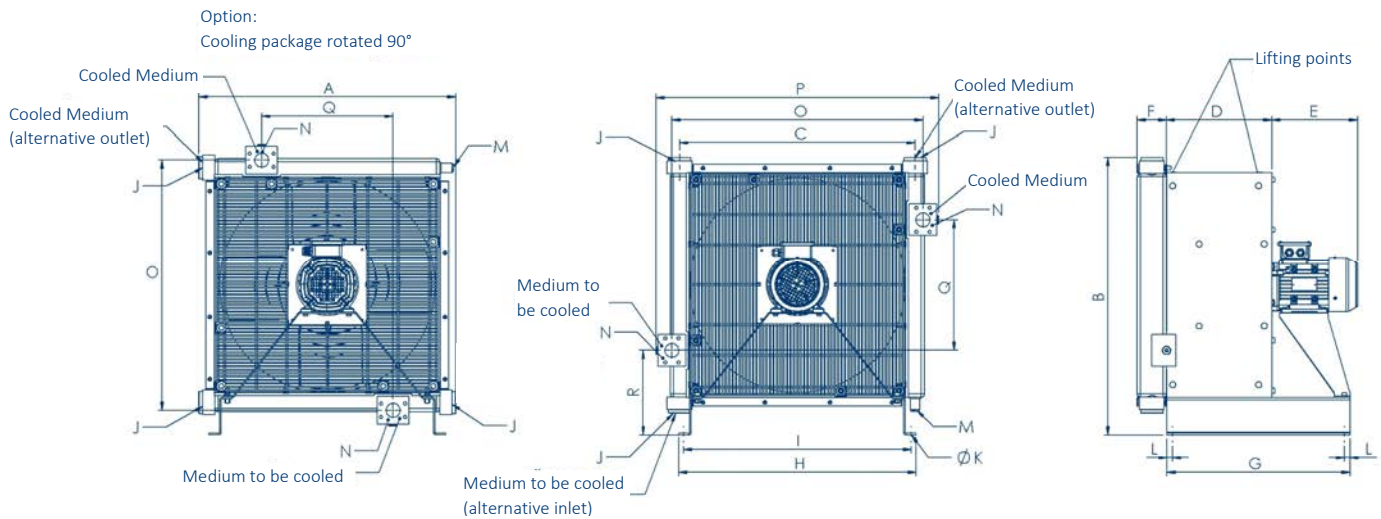
| Typ             | Motor performance | Power consumption* | Rotation speed | Air flow          | Noise level** | Weight |
|-----------------|-------------------|--------------------|----------------|-------------------|---------------|--------|
|                 | KW                | A                  | rpm            | m <sup>3</sup> /s | 1m / 7m dB(A) | kg     |
| LKI 1010-400V-6 | 3,0               | 7,2                | 1000           | 5,38              | 85 / 72       | 157    |
| LKI 1010-400V-8 | 1,5               | 3,78               | 750            | 3,84              | 76 / 64       | 151    |

\* Nominal current at 400V

\*\*May vary by  $\pm 3$  dB(A) due to room characteristics, own frequencies, oil connections, viscosities etc.

| Typ             | A    | B    | C    | D   | E      | F  | G   | H    | I    | J   | K                | L  | M     | N     | O    | P    | Q   | R   |
|-----------------|------|------|------|-----|--------|----|-----|------|------|-----|------------------|----|-------|-------|------|------|-----|-----|
| LKI 1010-400V-6 | 1075 | 1157 | 1060 | 340 | ca.370 | 94 | 590 | 1065 | 1035 | G2* | $\varnothing 11$ | 18 | G1/2* | 2*SAE | 1110 | 1200 | 695 | 272 |
| LKI 1010-400V-8 | 1075 | 1157 | 1060 | 340 | ca.319 | 94 | 590 | 1065 | 1035 | G2* | $\varnothing 11$ | 18 | G1/2* | 2*SAE | 1110 | 1200 | 695 | 272 |

Dimension data in mm, Threads for lifting equipment: M10



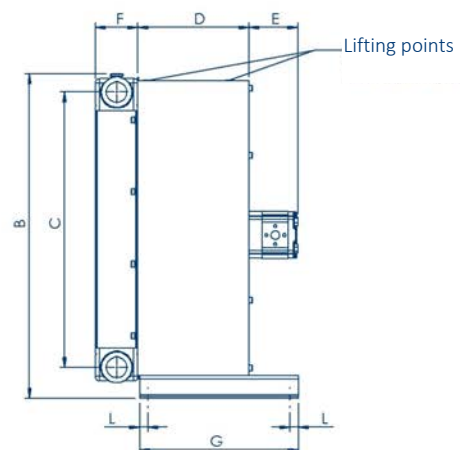
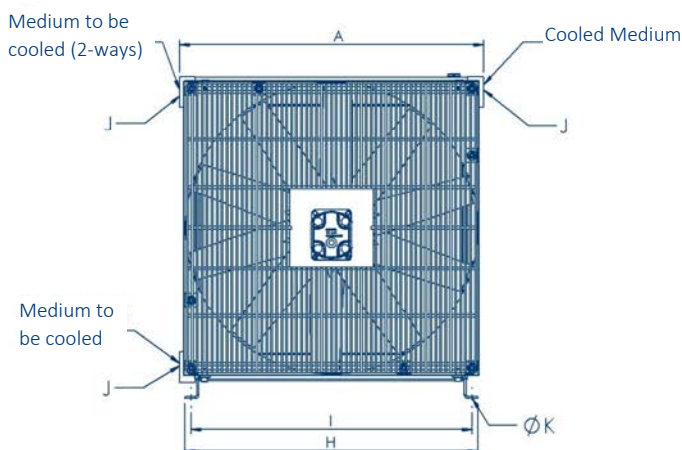
## Size LKI-100-HYD - LKI-600-HYD

| Typ         | Rotation speed | Air flow          | Noise level** | Weight |
|-------------|----------------|-------------------|---------------|--------|
|             | rpm            | m <sup>3</sup> /s | 1m dB(A)      | kg     |
| LKI 110-HYD | 3000           | 1,29              | 77 dB(A)      | 17     |
| LKI 120-HYD | 3000           | 1,29              | 77 dB(A)      | 17     |
| LKI 210-HYD | 3000           | 1,18              | 77 dB(A)      | 20     |
| LKI 220-HYD | 3000           | 1,18              | 77 dB(A)      | 20     |
| LKI 310-HYD | 1500           | 0,74              | 73 dB(A)      | 26     |
| LKI 320-HYD | 1500           | 0,74              | 73 dB(A)      | 26     |
| LKI 410-HYD | 1500           | 0,76              | 73 dB(A)      | 33     |
| LKI 420-HYD | 1500           | 0,76              | 73 dB(A)      | 33     |
| LKI 510-HYD | 1500           | 1,70              | 80 dB(A)      | 36     |
| LKI 520-HYD | 1500           | 1,70              | 80 dB(A)      | 36     |
| LKI 610-HYD | 1500           | 1,50              | 80 dB(A)      | 45     |
| LKI 620-HYD | 1500           | 1,50              | 80 dB(A)      | 45     |

\*\*May vary by  $\pm 3$  dB(A) due to room characteristics, own frequencies, oil connections, viscosities etc.

| Typ         | A   | B   | C   | D   | E     | F  | G   | H   | I   | J       | K   | L  |
|-------------|-----|-----|-----|-----|-------|----|-----|-----|-----|---------|-----|----|
| LKI 100-HYD | 340 | 430 | 360 | 175 | ca.86 | 63 | 350 | 336 | 310 | G1"     | Ø11 | 18 |
| LKI 200-HYD | 340 | 430 | 360 | 175 | ca.86 | 94 | 350 | 336 | 310 | G1"     | Ø11 | 18 |
| LKI 300-HYD | 480 | 550 | 460 | 205 | ca.86 | 63 | 350 | 476 | 450 | G1"     | Ø11 | 18 |
| LKI 400-HYD | 480 | 550 | 460 | 205 | ca.86 | 94 | 350 | 476 | 450 | G1"     | Ø11 | 18 |
| LKI 500-HYD | 671 | 721 | 610 | 245 | ca.86 | 63 | 350 | 646 | 620 | G1 1/2" | Ø11 | 18 |
| LKI 600-HYD | 671 | 721 | 614 | 245 | ca.86 | 94 | 350 | 646 | 620 | G1 1/2" | Ø11 | 18 |

Dimension data in mm, Threads for lifting equipment: M8



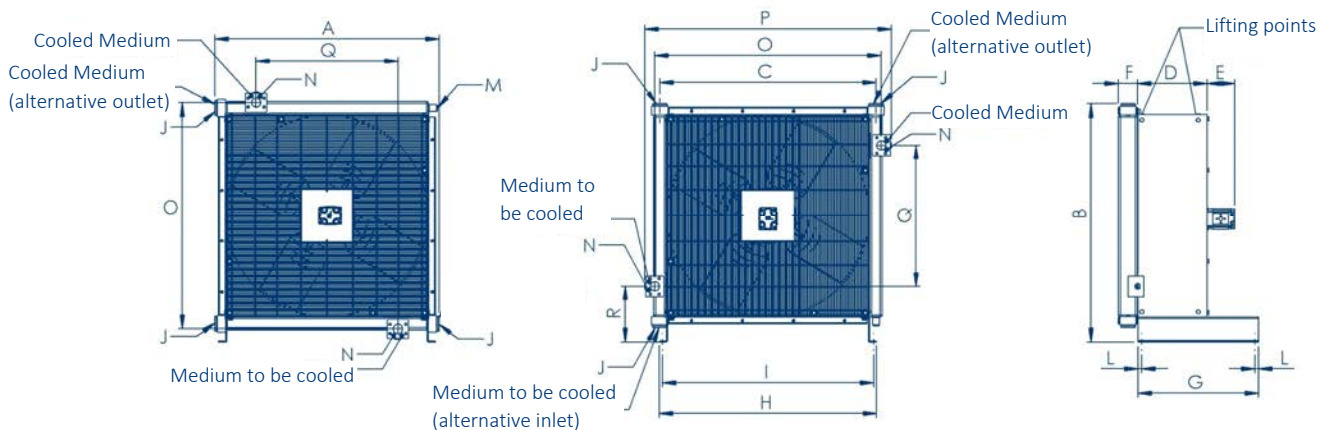
## Size LKI-700-HYD – LKI-1000-HYD

| Typ          | Rotation speed | Air flow          | Noise level** | Weight |
|--------------|----------------|-------------------|---------------|--------|
|              | rpm            | m <sup>3</sup> /s | 1m dB(A)      | kg     |
| LKI 700-HYD  | 1000           | 2,14              | 77            | 80     |
| LKI 800-HYD  | 1000           | 3,38              | 79            | 97     |
| LKI 900-HYD  | 1000           | 4,32              | 85            | 113    |
| LKI 1000-HYD | 1000           | 5,38              | 85            | 133    |

\*\*May vary by ±3 dB(A) due to room characteristics, own frequencies, oil connections, viscosities etc.

| Typ          | A    | B    | C    | D   | E      | F  | G   | H    | I    | J          | K  | L     | M     | N    | O    | P   | Q   | R |
|--------------|------|------|------|-----|--------|----|-----|------|------|------------|----|-------|-------|------|------|-----|-----|---|
| LKI 700-HYD  | 840  | 900  | 760  | 340 | ca.105 | 94 | 590 | 765  | 735  | G2*<br>Ø14 | 18 | G1/2* | 2*SAE | 810  | 900  | 424 | 272 |   |
| LKI 800-HYD  | 963  | 1023 | 860  | 340 | ca.105 | 94 | 590 | 865  | 835  | G2*<br>Ø14 | 18 | G1/2* | 2*SAE | 910  | 1000 | 538 | 272 |   |
| LKI 900-HYD  | 1018 | 1112 | 960  | 340 | ca.105 | 94 | 590 | 965  | 935  | G2*<br>Ø14 | 18 | G1/2* | 2*SAE | 1010 | 1100 | 638 | 272 |   |
| LKI 1000-HYD | 1075 | 1169 | 1060 | 340 | ca.105 | 94 | 590 | 1065 | 1035 | G2*<br>Ø14 | 18 | G1/2* | 2*SAE | 1110 | 1200 | 695 | 272 |   |

Dimension data in mm, Threads for lifting equipment: M10



**Ordering code**

**LKI 110 - 400V - 2 - ("Option")**

**Series abbreviation**  
LKI = Oil/Air-cooler for industrial use

**Unit Size**  
51  
61  
100-1000

**Version**  
10 = 1 way  
20 = 2 way  
30 = 3 way  
(on request)

**Options**  
Equipment for Air-coolers (see optionen tabel below)

**Number of poles / Hydraulic drive volume (HYD)**  
2 = 2 pole / ca. 3000rpm  
4 = 4 pole / ca. 1500rpm  
6 = 6 pole / ca. 1000rpm  
8 = 8 pole / ca. 750rpm  
11 = Hydraulic motor 11ccm (HYD)  
22 = Hydraulic motor 22ccm (HYD)

**Drive**  
400V = 400V/50Hz (Standard)  
HYD = Hydraulic motor  
*Motors with special voltage or with explosion protection available on request.*

**Option table**

**LKI 110-400V-2 (" -Option")**

Ordering code acc. Data sheet (see above)

Abbreviation for option

| Option:                            | Abbreviation:                              | Info:                                 |
|------------------------------------|--|---------------------------------------|
| Air flow version                   | -D   | Oppressive version                    |
| Set up version                     | -L   | Horizontal version                    |
| Alignment of the cooling package   | -G90 = 90°<br>-G180 = 180°<br>-G270 = 270° | Direction of rotation: clockwise      |
| Dust- and stone guard              | -F   | If nec. reduction of cooling capacity |
| Stone guard                        | -M   | If nec. reduction of cooling capacity |
| Internal pressure bypass           | -RP  |                                       |
| Internal thermal bypass            | -RT  |                                       |
| External pressure bypass           | -EP  |                                       |
| External thermal bypass            | -ET  |                                       |
| ATEX-certification                 | -EX (classification)                       |                                       |
| Motor according to the NEMA-Norm   | -NEMA                                      |                                       |
| Motor according to CSA and UL      | -CSA/UL                                    |                                       |
| Thermo switch                      | -TS  |                                       |
| KTL-coating (marine)               | -C+(Typ)                                   |                                       |
| Cooling package in stainless steel | -SS  |                                       |
| Wall- and ceiling bracket          | -WH/DH                                     |                                       |

*The technical data of this sheet is depending on the described operational conditions and individual cases. At different operational conditions and differing individual cases contact Universal Hydraulic. Technical modifications reserved. Please also pay attention to our operation manuals and maintenance documentations. In case of an order, binding dimensions can be found in the associated component drawing.*

**Sales department**

**Universal Hydraulik GmbH**  
Siemensstr. 33. D-61267 Neu-Anspach  
Tel.: +49 (0) 60 81/ 9418- 0. Fax +49 (0) 60 81/ 94 18 49  
E-Mail: [info@universalhydraulik.com](mailto:info@universalhydraulik.com)  
[www.universalhydraulik.com](http://www.universalhydraulik.com)

**Universal Hydraulik USA, Corp.**  
Fort Meigs Business Center. 25651 Fort Meigs Road, Suite A  
Perrysburg, OH 43551  
Phone: 419 873 63 40. Fax: 419 873 63 42  
email: [info@universalhydraulik.com](mailto:info@universalhydraulik.com)  
[www.universalhydraulik-usa.com](http://www.universalhydraulik-usa.com)